



McKenna Contracting, Inc.

21755 North Freeway Bldg 9, Spring TX 77388

(281) 684-6012 Mobile (281) 907-6578 fax

Office (281) 651-5402

Email : bruce.berry@mckennacontracting.net 1936 Old

February 28, 2026

PROPOSAL

We hereby submit specifications and estimates for:

City of Angleton

Bates Park Softball Fields 700 Bates Park Road, Angleton TX 77515

Shade Structures for the ballfield - Provide all materials and install

Cantilever Hip Design for the bleachers

24' x 12' structures

Structure	\$ 9,345
Freight	1,650
Installation	<u>4,125</u>
Total	\$ 15,120
Quantity 6	\$ 90,720
Discount	<u>-5,000</u>
Total	\$ 85,720

Price is valid for 90 days

Engineered drawing \$ 1,100

Frame and canopy colors chart provided. Color Selection must be determined at time of ordering equipment. Warranty and Spec sheet provided

All prices include structure, fabric, hardware

Price includes freight and delivery, installed at your location

All items installed to safety standards set by manufacturer

All prices include Equipment, freight and delivery, installation of structure

Expected delivery time from point of order is expected at 10 weeks and is not guaranteed by manufacturing plant. All equipment ships direct from manufacturing plant to Houston. Property has been viewed by McKenna Contracting prior to this date.

All debris to be removed from jobsite as needed and completely. Safety equipment and material to be provided by McKenna Contracting

Terms: 50% down payment at time of ordering, balance due upon installation

No changes to order after order is placed with manufacturing plant

Sales Tax to be added to invoice, unless Sales Tax Exemption form is provided at time of ordering

BuyBoard 781-25 Contract Number

Proposal Acceptance - *I hereby authorize McKenna Contracting, Inc. to commence construction listed above for which I agree to pay the total amount specified.*

Client Signature	Date
------------------	------

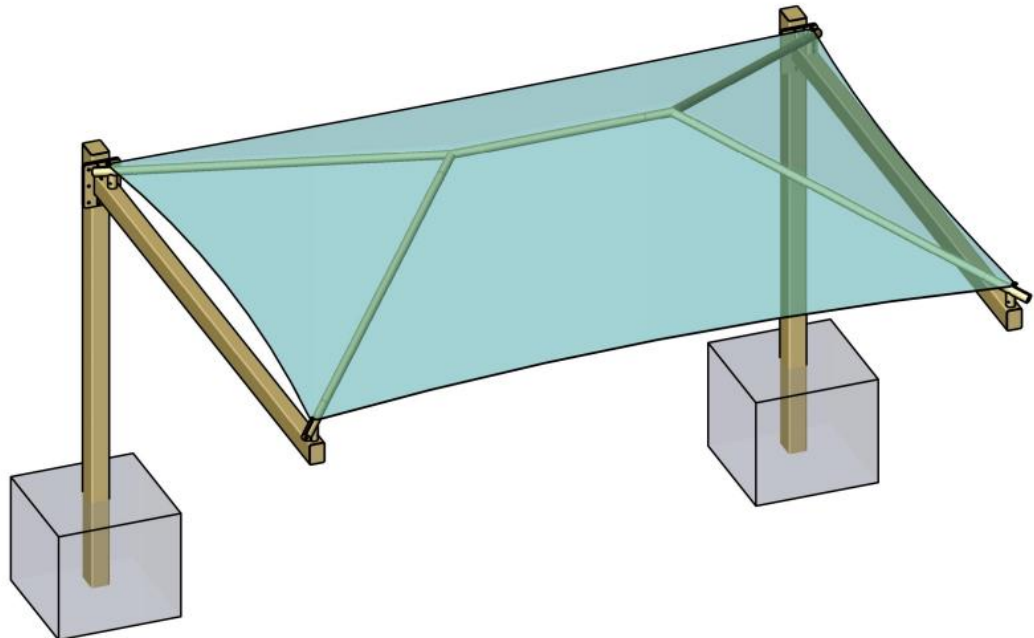
Please sign and fax or email all pages of this proposal to (281) 907-6578

“Need Shade?”



Hanging Cantilever Hip Shade

Length	24'	Width	12'	Entry Height	11'
Peak Height	13.42'	Elbow	Standard	Column Mount	Embedded
Column Size	8"x6"x1/4"	Rafter Size	Ø2.875" 12-Ga	Ridge Size	Ø2.875" 12-Ga
Column Length	15'	Rafter Length	8.53'	Ridge Length	12.88'
Dome Qty.	1	Column Qty.	2	Beam Size	6"x4"x3/16"



Powder Coat Color Options

Gloss



Matte, Textured or Metallic



Fabric Color Options

Traditional

