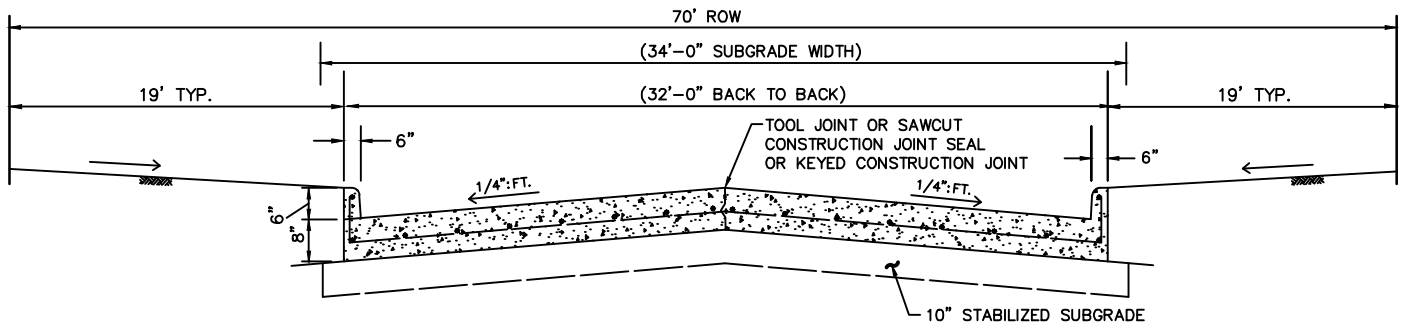
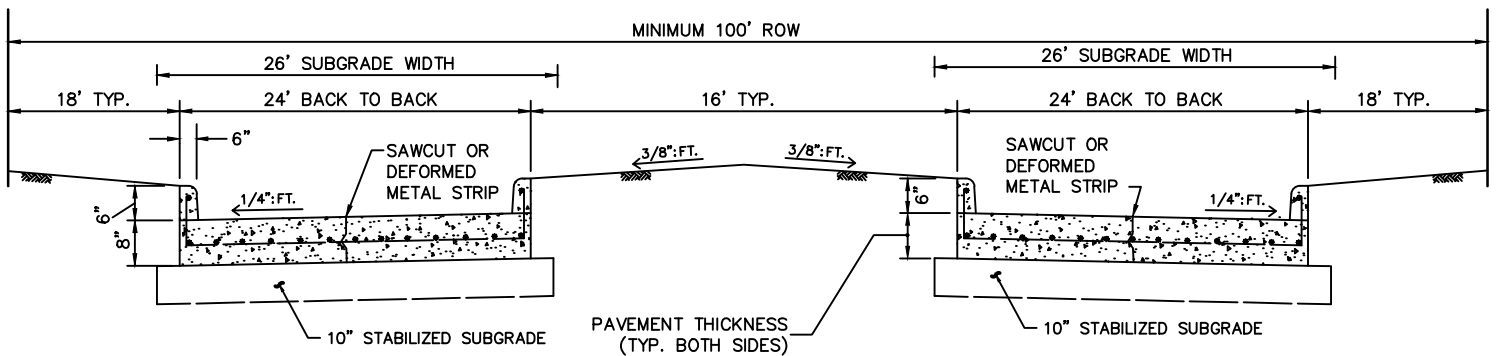


*Meets or exceeds City of Angleton Standards  
To be maintained by MUD*



*Meets or exceeds Brazoria County Standards  
To be maintained by MUD*



*Meets or exceeds Brazoria County Standards  
To be maintained by Brazoria County*

**NOTES:**

1. Open Space Amenity Plan Will Specify Sidewalk and Trail Layout Throughout The Development.
2. Pavement Mix Designs Shall Meet Compressive Strength Requirements of 4000 psi at 28 days.

\* As Per Geotech Report dated June 6th 2022 by Tolunay Wang.  
Reference City of Angleton code, section 23-124 A3.